

1. HEIGHT OF METER 5'6" AND NOT TO EXCEED 6', AND NOT LOWER THAN 5'.
2. METER BASE FURNISHED AND INSTALL BY THE CUSTOMER.
(A MANUAL BYPASS IS REQUIRED ON 3 PHASE)
3. STANDPIPE SHALL BE A MINIMUM 2" RIGID METALLIC, OR IMC AND EXTEND ABOVE ALL ROOFS A MINIMUM OF 18" AS OF NEC 230-24.
4. BRIDAL GUY TO BE INSTALLED IF NECESSARY PER NESC.
5. CONDUCTORS FURNISHED AND INSTALLED BY CUSTOMER TO EXTEND 18" FROM THE WEATHER HEAD AND SHALL COMPLY WITH THE NATIONAL ELECTRIC CODE.
6. ALL METAL TERMINATIONS SHALL HAVE BUSHINGS OR METER BASE HUB.
7. CONDUIT SIZES: (MINIMUM)
 - 2" - conduit for 100 AMP service
 - 2" - conduit for 150 AMP service
 - 2" - conduit for 200 AMP service

NOTE:

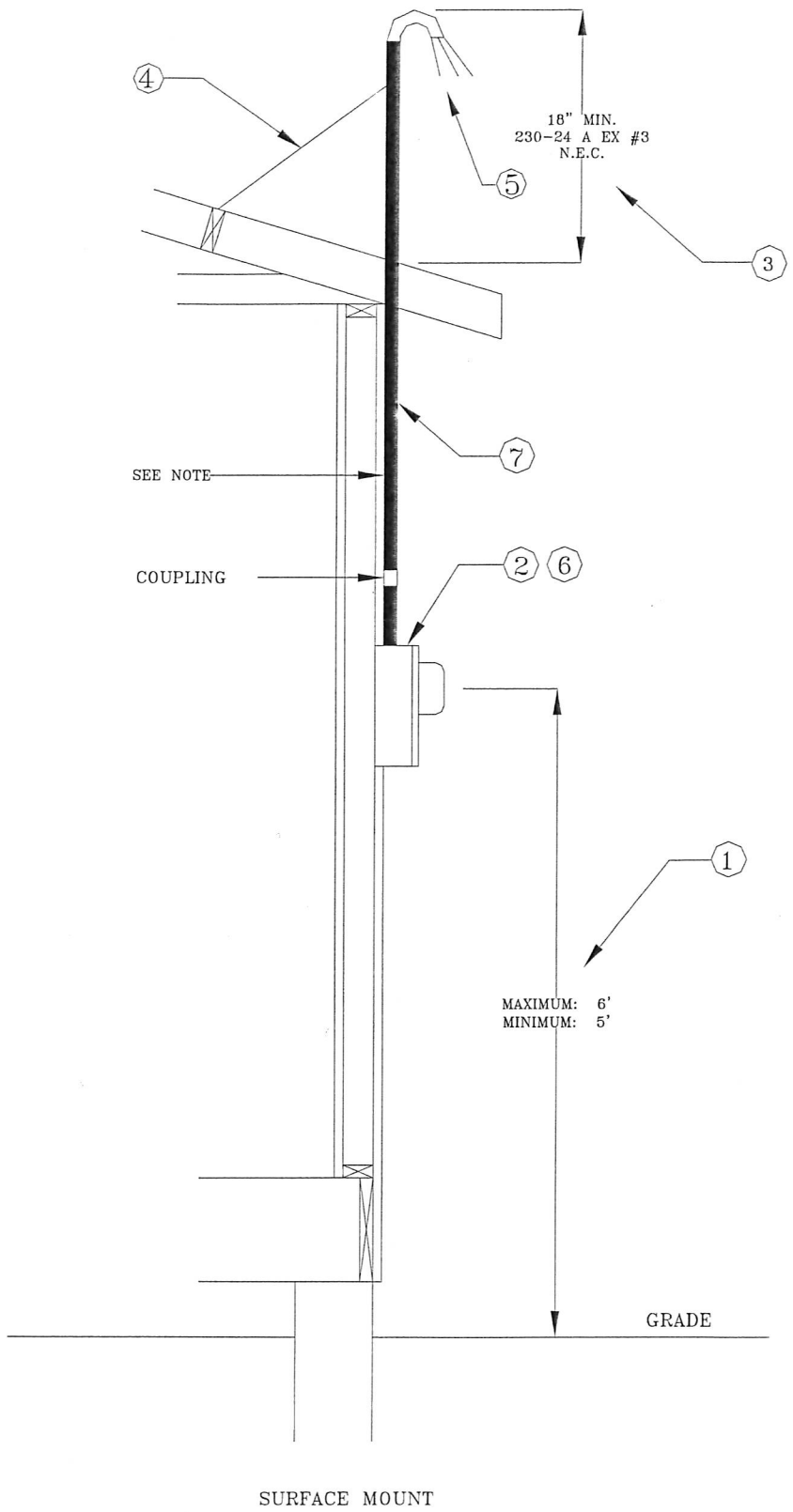
1. ALL SHADED AREA WILL BE RIGID METALLIC CONDUIT OR IMC.
2. NO COUPLING WITHIN 10' OF WEATHER HEAD.

PAYSON CITY CORPORATION
ELECTRIC DEPARTMENT

SPECIFICATIONS FOR OVERHEAD SERVICES 200 AMPS MAX

(SINGLE PHASE AND THREE PHASE)

DRAWING NO. 02-50-0002



DRAWN BY: GJR _____
 APPROVED BY: RC _____
 DATE: REVISED 1/27/2005

