

1. HEIGHT OF METER 5'6" AND NOT TO EXCEED 6', AND NOT LOWER THAN 5'.
2. METER BASE FURNISHED AND INSTALL BY THE CUSTOMER.
(A MANUAL BYPASS IS REQUIRED ON 3 PHASE)
3. STANDPIPE SHALL BE A MINIMUM 2" RIGID METALLIC, OR IMC AND EXTEND ABOVE ALL ROOFS A MINIMUM OF 18" AS OF NEC 230-24.
4. BRIDAL GUY TO BE INSTALLED IF NECESSARY PER NESC.
5. CONDUCTORS FURNISHED AND INSTALLED BY CUSTOMER TO EXTEND 18" FROM THE WEATHER HEAD AND SHALL COMPLY WITH THE NATIONAL ELECTRIC CODE.
6. ALL METAL TERMINATIONS SHALL HAVE BUSHINGS OR METER BASE HUB.
7. CONDUIT SIZES: (MINIMUM)
 - 2" - conduit for 100 AMP service
 - 2" - conduit for 150 AMP service
 - 2" - conduit for 200 AMP service

NOTE:

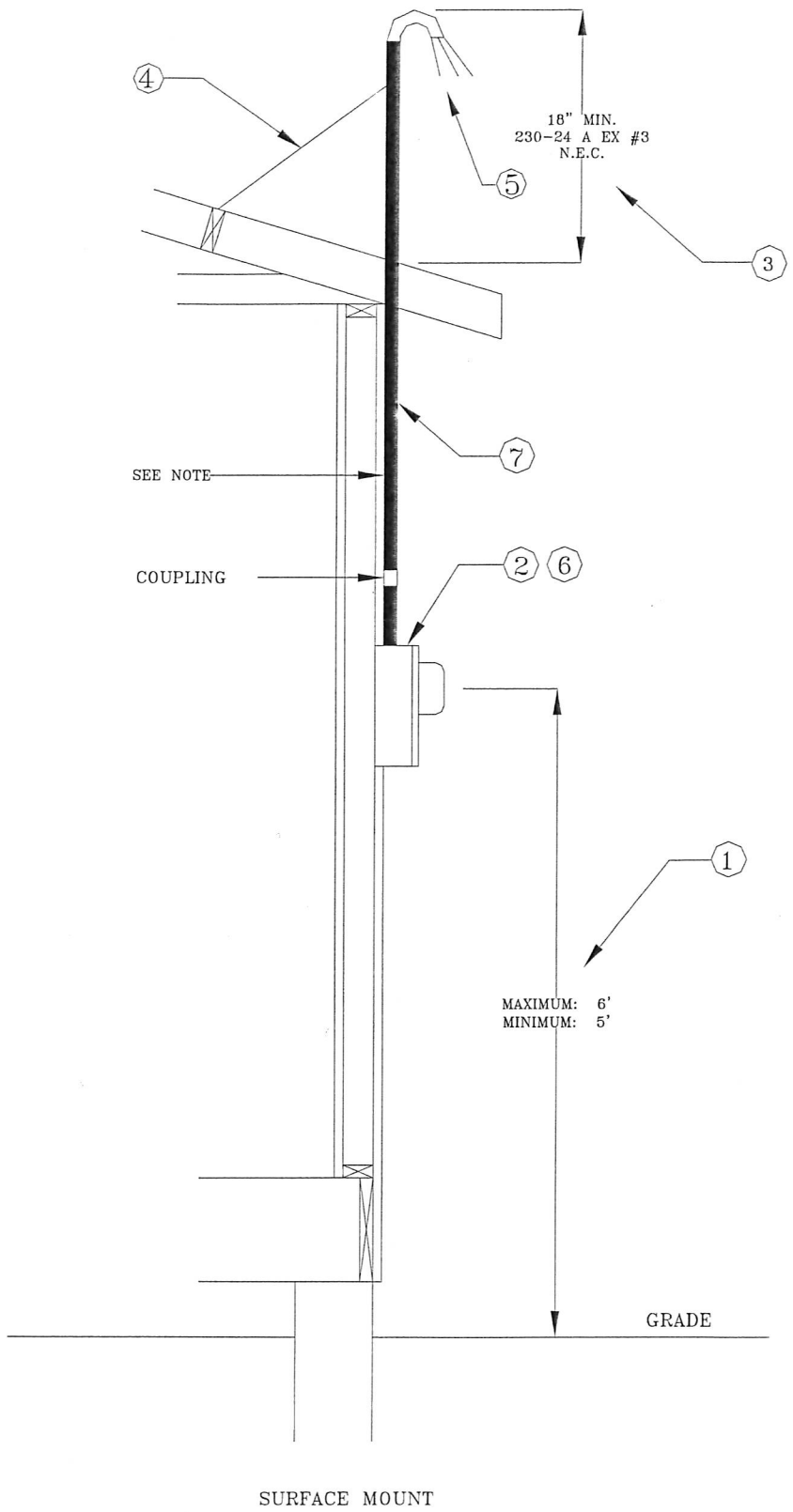
1. ALL SHADED AREA WILL BE RIGID METALLIC CONDUIT OR IMC.
2. NO COUPLING WITHIN 10' OF WEATHER HEAD.

PAYSON CITY CORPORATION
ELECTRIC DEPARTMENT

SPECIFICATIONS FOR OVERHEAD SERVICES 200 AMPS MAX

(SINGLE PHASE AND THREE PHASE)

DRAWING NO. 02-50-0002



DRAWN BY: GJR _____
 APPROVED BY: RC _____
 DATE: REVISED 1/27/2005

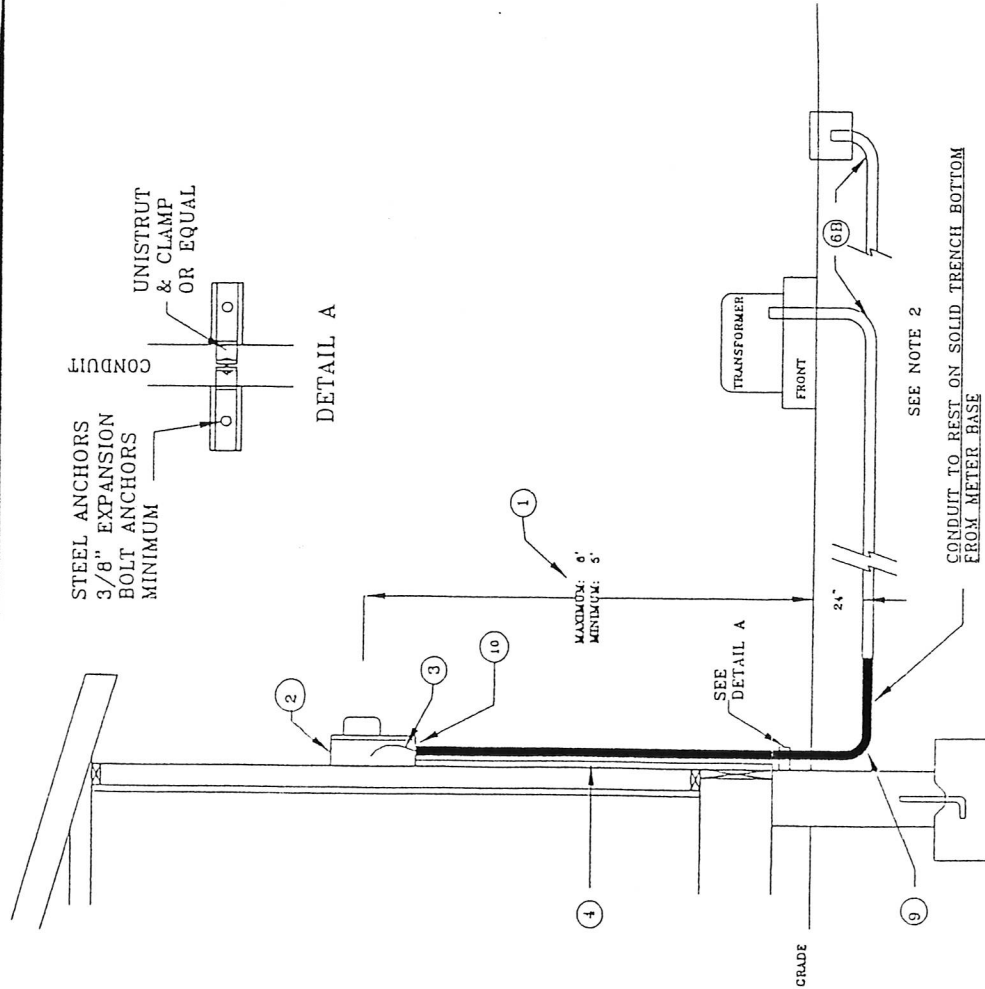
PAYSON CITY CORPORATION

ELECTRIC DEPARTMENT

All temporary power stations are located on the housing foundations and will provide permanent power upon final completion and inspection of residence. The temporary power stations are to be affixed permanently anchored to the concrete foundation. Meter base must be supported with a hub. Conduit must be supported in a manner to prevent it from setting with unistrut and clamp, anchored to the foundation with two (2) 3/8 inch (min.) expandable steel bolt anchors.

Payson City Power And Light
Electrical Construction Standards and Materials
Section 4-2.15

“All outlets for temporary wiring installations shall provide Ground-fault (GFI) protection for personnel.”
1999 NEC 305-6



1. HEIGHT OF METER 5'6" AND NOT TO EXCEED 6', AND NOT LOWER THAN 5'.
2. METER BASE FURNISHED AND INSTALL BY THE CUSTOMER. (A MANUAL BYPASS IS REQUIRED ON 3 PHASE)
3. 1/0 URD MINIMUM SIZE SERVICE WIRE PROVIDED BY CUSTOMER.
4. CONDUIT TO BE RIGID METALLIC OR IMC FROM GROUND TO METER BASE, (MIN 2") FURNISHED AND INSTALLED BY CUSTOMER.
5. CONDUIT FROM BUILDING TO CONNECTION POINT WILL BE GRAY PVC-SCH. 40 OR EQUAL, FURNISHED AND INSTALLED BY THE CUSTOMER CONDUIT WILL COMPLY WITH THE NATIONAL ELECTRIC CODE.
6. A 36" SWEEP 90 ELBOW BELOW METER BASE WILL BE RIGID OR IMC.
B 36" SWEEP 90 ELBOW AT SECONDARY CONNECTION BOX WILL BE SCH 40 PV
7. PAYSON CITY POWER WILL FURNISH AND INSTALL METERS.
8. CONDUIT SIZES: (MINIMUM)
2" - conduit for 100 amp service.
2" - conduit for 200 amp service.
3" - conduit for 3 phase, 200 amp service.
9. METAL CONDUIT BELOW GRADE WILL BE PROTECTED BY A CORROSION INHIBITING WRAP. (10 MILL. PVC PIPE WRAP)
10. ALL METAL TERMINATIONS SHALL HAVE BUSHINGS OR METER BASE HUB.

NOTE:

1. ALL SHADED AREA WILL BE RIGID METALLIC CONDUIT OR IMC.
2. MINIMUM DEPTH OF SERVICE TRENCH TO BE 24".
3. GROUNDING TO MEET NEC.
4. PVC TAPE WRAP ON ALL METAL PIPE BELOW CLAMP, CONTINUOUS BELOW GRADE TO PVC PIPE.

SPECIFICATIONS FOR UNDERGROUND SERVICES
200 AMPS MAX
(SINGLE PHASE AND THREE PHASE)

SURFACE MOUNT

DRAWN BY: GJR
APPROVED BY: RC
DATE: REVISED 5/19/01

DRAWING NO. 02-50-0001

