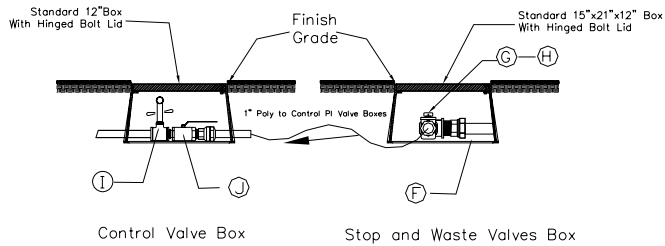
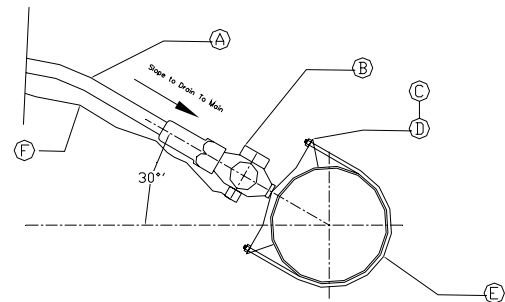


Plan View



Profile View

Legend		
No.	Item	Description
A	Copper Pipe	Type K - Soft or Poly CTS
B	Corporation Stop	Brass
C	Service Saddle Clamp	
D	Service Saddle Clamp	(PVC)
E	Water Main Pipe	(PVC)
F	Trace Wire	
G	TWO (2) Stop and Waste Valves	Brass
H	1-1/2" X 1" Threaded TEE	Brass
I	Hose Bib	Brass
J	Ball Valve	Brass



Type A - Saddle Clamp Tap

Payson City Corporation
February 2005

Pressurized Irrigation Service Tap

Standard Plan
630
Sheet 2 of 2